

iCanView370

Speed Dome Dual Codec IP Camera

Dual Codec 10X Mini Speed Dome IP Camera (Indoor/Outdoor)

iCV370は高速(Max.200度/秒)PTZ操作と10倍ズーム小型スピードドームデュアルコーデックIPカメラです。低速のネットワークを通しての同時接続を可能にしながら、差別化された解像度とフレームレートの複数の同時ビデオストリームは、最高品質のサービスを保証します。

iCV370は、屋内と屋外の両方の環境で使用することができます。汎用性の高いモデルも用意されています。

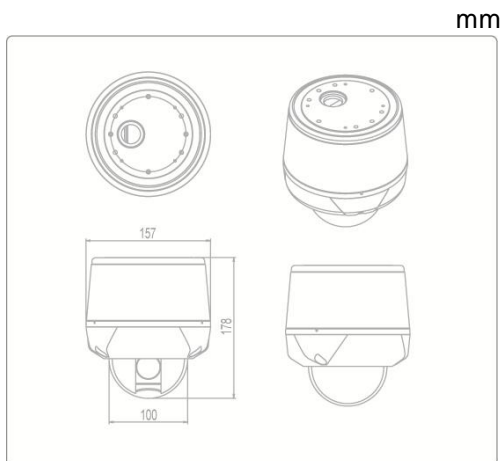
IP+ハイブリッド機能がPCにクライアントソフトウェアを使用して、両方のリアル(U SB/RS485)と仮想キーボードコントローラをサポートしています。仮想キーボードコントローラは、キーボードコントローラの利用者が使用できるように使用される速度のドーム、のリモートクライアントを完全に制御できるようになります。このようなキーボードコントローラ、ブラケットやヒーターなどの多くのオプション項目がサポートされています。



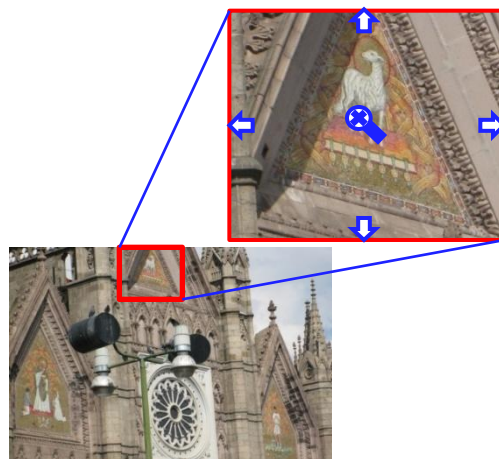
Key Features

- Dual-codec (H.264 & MJPEG)
- Multi profile streaming (Up to 3 streams of different resolutions, frame rates and codec selections)
- Digital PTZ, video crop
- 10X optical zoom, Vandal proof
- IP66 water-resistant
- Virtual keyboard controller(IP+ Hybrid)
- Analog CVBS output
- 3G mobile A/V surveillance (through 3G server)
- Two-way audio communication
- Optional items
 - Heater, long range WiFi, local storage, keyboard controller, bracket, DC power adaptor

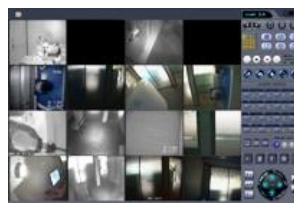
Dimensions



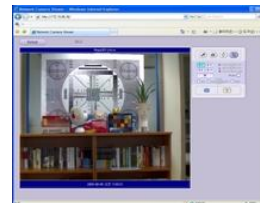
Digital PTZ & Cropped Image



Client Software



NVR-Pro(64ch)



Web viewer

Specifications

Camera Part (PTZ Mechanism, Camera Module)			
Pan / Tilt	Pan Rotation Angle		360° Endless
	Pan Speed	Manual	Max 150°/sec
		Preset	Max 200°/sec
	Tilt Rotation Angle		-2° ~ 90°
	Tilt Speed	Manual	Max 150°/sec
		Preset	Max 150°/sec
Functions	Presets		165 positions
	Group Scanning		8 Programmable group tours(each one consisting of up to 60 preset steps with different steps)
	Auto Scan		Programmable Auto Scan
	Alarm Input / Output		2 Sensor Inputs, 1 Relay Output
	Alarm Actions		Activate preset, Group scanning or output per alarm input
	Auto Flip		ON / OFF
	OSD Menu		Yes
	Communication		RS-485
	Protocol		Multiple protocols including Pelco-D/P
Others	Motor Type		Stepping motor
Camera Module	Image Sensor		1/4" Sony Super HAD CCD
	Total Image Pixels	NTSC	811(H) * 508(V) 410K
		PAL	795(H) * 596(V) 470K
	Number Of Effective Pixels	NTSC	768(H) * 494(V) 380K
		PAL	752(H) * 582(V) 440K
	Horizontal resolution		500TV Lines
	Zoom	Optical	10x Optical Zoom f=3.8 to 38.0mm(F. 2.8)
		Digital	10x(100x with optical)
	Day & Night (ICR)		Auto / Day / Night
	Digital Slow Shutter		ON / OFF
	Min. Illumination	Normal Mode	0.7Lux / F2.8 (50IRE)
		Night Mode	0.02Lux / F2.8 (50IRE)
	Luminance S/N Ratio		More than 50dB
	Video Output		Composite video output 75 ohm terminated
	BLC		ON / OFF
	Flickerless	NTSC	ON / OFF (1/100)
		PAL	ON / OFF (1/120)
WHITE BALANCE		AWB / ATW / INDOOR / OUTDOOR	

Video Part

Compression method	Simultaneous Dual Codec (H.264 / MJPEG)	
Resolution	NTSC	PAL/SECAM
	720x480(full D1), 640x480(VGA)	720X576(full D1), 640x480(VGA)
	720x240(half D1), 352x240(CIF), 176x112(QCIF)	720x288(half D1), 352x288(CIF), 176x112(QCIF)
Multi-Profile Streaming	- 3 simultaneous video profiles - Select the codec type, resolution and frame rates for each profile.	
Intelligent Bit-Rate Control	CBR, VBR, HBR	
PTZ	Digital PTZ & video crop	
Image Setting	Text overlay, Privacy mask, De-interlace filter	
Motion detection	3 regions	
Motion tracking	Intelligent motion tracking	

Audio Part

Mono Upstream	32Kbps G.726 ADPCM ~ LINE-in / MIC-in
Mono Downstream	128Kbps 16-bit Linear PCM ~ LINE-out(1Vpk)
Stereo	Stereo support

Network

Network Protocol	-IPv4/v6, TCP, UDP, IGMP, ICMP, ICMPv6, ARP, RARP, PPPoE, RTCP -- RTP, RTSP, SDP, HTTP, HTTPS, SMTP, FTP, DHCP, UPnP, SNMP - NTP, DNS, DynDNS, SOCKS
Dynamic IP	Supported (through iCanTek's management server)
Security	-User ID & Password protection, IP address filtering - HTTPS encryption, Digest Authentication, User Access Log

External Terminals

LAN	10/100BaseT LAN (auto MDIX)
Analog output	1 channel D1 CVBS output of the encoding video
RS-485	RS-485 for external PTZ device
Alarm input / output	Alarm I/O (2 Sensor input & 1 Relay output)
Factory Reset	Supported
other	Two Stereo Jack / RS-232 Debug / 12VDCin

Client Software

NVR-Pro	64ch(free of charge)
---------	----------------------

Ordering Information for Detailed Models

iCanView370	Samsung Techwin10X zoom IP camera
iCanView370H	Heater is added to iCanView270

System Integration

Intelligent Video	Motion Detection + IVS module(option)
Alarm Triggers	Intelligent Video + Sensor Input
Alarm Events	video file upload(FTP), still Image(Email), PTZ presets, Relay output
Video Buffer	00 sec Pre-alarm & 00 sec Post-alarm
PTZ control	00 presets, guard tour, PTZ control queue
3G mobile	3G mobile phone support


Operating Environment, Power, Dimensions

Operating Temperature	-Without heater : -10°C ~ 50°C(14°F ~ 122°F) -With heater : -40 °C ~50°C (-40°F~122°F)
Operating Humidity	8~80% RH
Power	12VDC, 1.33A / 16W (12VDC 1.8A with Heater, 22W)
Dimensions (W x D)	157mm(6") *178mm(7")
Weight	2kg
Casing	AL, cool gray
Approvals	FCC, CE, IP66, MIC
Package information	IP camera, CD (User's guide, Software...), Accessories for installation

Optional Items

Heater	iCanView370H model
WiFi	Long range WiFi base station, Wireless client bridge
Local storage	SD card
Power adaptor	12VDC, 3.3A
Keyboard Controller	mD-CN3RI, WTX-1200A
Bracket	mD-101M, mD-104, mD-107, mD-109, mD-304, mD-305, mD-306, mD-307, mD-308, mD-309, mD-310

Keyboard Controller

mD-CN3RI	WTX-1200A
	
(Twist Control)	(Web Keyboard Controller, USB type)

Bracket

mD-101M	mD-104	mD-107
		
(Embedded mount)	(Wall Mount)	(Corner Mount Adaptor)
mD-109	mD-304	mD-305
		
(Pole Mount Adaptor)	(Wall Bracket)	(Ceiling Bracket)

